

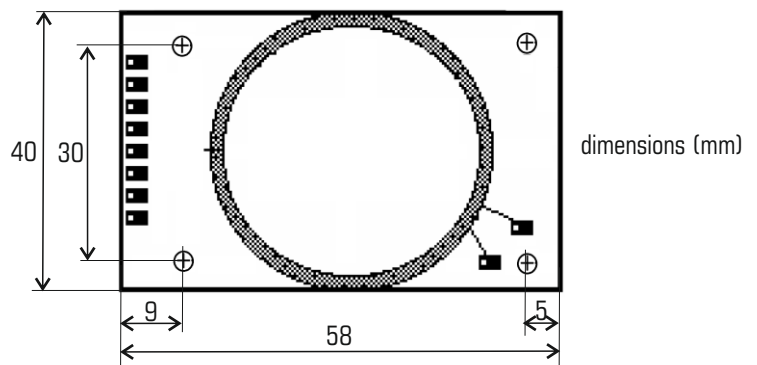
An easy RFID Reader for every need.

## LF Reader OEM

LF Reader OEM is a small form factor RFID Reader designed for custom applications and system integration.

It features embedded antenna and optional output for tag detection signaling.

Various models available featuring different working modes, interfaces and power supply range.



**Technical:**

Product Code	IO 110.0400	IO 110.0101	IO 110.0111	IO 110.0211
Operating frequency	125kHz	125kHz	125kHz	125kHz
Standard	Read Only	Read Only	Read Only	Read Only
Interface	TTL	RS-232 Spontaneous	RS-232 Polling	RS-485 Polling
Power supply	5VDC	12VDC	12VDC	12VDC
Operating temperature	-10°C ÷ +50°C	0°C ÷ +60°C	0°C ÷ +60°C	0°C ÷ +60°C
Dimensions	58 x 40 x 7.5mm (L x W x H)	58 x 40 x 7.5mm (L x W x H)	58 x 40 x 7.5mm (L x W x H)	58 x 40 x 7.5mm (L x W x H)